



BOMB CARTS FOR ISO CONTAINERS

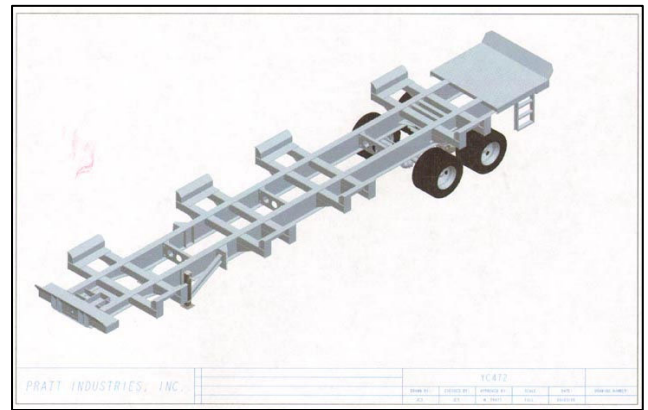
Model: YC472
(Yard Container Transport)



20' Dry Freight Container	40' Dry Freight Container
	
Payload 48,060lbs Cubic Capacity: 1,164 cu. ft. Interior Dimensions: L: 19'4" W: 7'8" H: 7'9" Empty Weight: 5000-lbs.	Payload 58,720lbs Cubic Capacity: 2,368 cu. ft. Interior Dimensions: L: 39'5" W: 7'8" H: 7'9" Empty Weight: 8500-lbs.



- Our Next-Generation Bomb Carts are non-highway use only.
- Since 1985, Bomb Carts are used in Ports around the World.
 - 108" Wide Deck, continuous Beams and Welds.
 - Gathering Bunks fabricated with 3/8" steel material.
 - Optional Monarch Monochromatic 10:00 x 20 solid tires.



Container Set Up Possibilities:

- One (1) 45' ISO Containers
- One (1) 40' ISO Containers
- Two (2) 20' ISO Containers
- One (1) 20' ISO Container

**DEGA-Pratt Exports Department
Factory: Bridgman, Michigan USA**

**Tel: 972-479-0333
Fax: 972-479-0336
sales@dega.com**