

MANUFACTURERS OF SUPERIOR QUALITY LIQUID EQUIPMENT SINCE 1957



KLEIN Original Water Pumps

31066183	Klein KP3FL PTO Driven PUMP
31065171	Klein KP3H Hydraulic PUMP
31066703	Klein KP3H Potable Water PUMP
31066333	Klein KP4H Mining High Capacity PUMP



KLEIN Original Motors

27032156	Hydraulic Motor On-Road
27032864	Hydraulic Motor Off-Road

KLEIN Turret Monitors

34073545	TURRET MONITOR PNEUMATIC 12V/24V
34073546	TURRET MONITOR HYDRAULIC 24V



KLEIN Control Panel

11064291	Cab Control Panel with Switches (basic)
05076927	Pedestal for Control Panel On-Road Truck



KLEIN Hose Reels

34074471	Manual Rewind HOSE REEL Assembly with Hose
34074793	Electric Rewind HOSE REEL Assembly with Hose



MANUFACTURERS OF SUPERIOR QUALITY LIQUID EQUIPMENT SINCE 1957



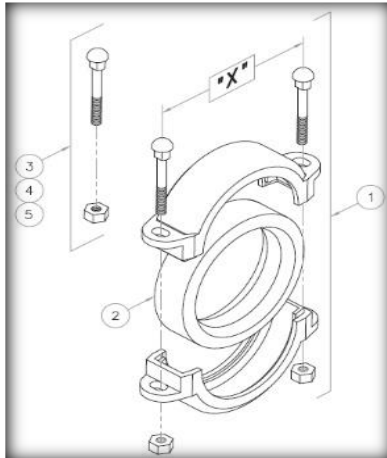
KLEIN Original Side Spray Package

35060054	Sprayhead, Side Jet 2.5"
39075549	Valve, Air 3.0" AV x 3.0" AV. R3
39021658	Quick Release Valve



KLEIN Original Mounting Bolster Brackets

28061918	Klein Mounting Bolster Brackets
----------	---------------------------------



KLEIN Original Couplings and Gaskets

10025269	Coupling, AV 3.0"
10025270	Coupling, AV 4.0"
18070445	Grooved Adapter, 3.0" AV
18024496	Grooved Adapter, 4.0" AV
33025278	Gasket, Coupling 3.0"
33025279	Gasket, Coupling 4.0"

KLEIN Original Front or Rear Valve/Sprayhead Combination

39075550	Valve, Sprayhead Air 3"
39075587	Valve, Sprayhead Hydraulic 3"



KLEIN Original Ball Valves

39027250	1.0" Ball Valve
39020669	1.5" Ball Valve
39016894	2.0" Ball Valve
39032487	2.5" Ball Valve