



Since 1951

# Tag-Along Trailer

Models include:  
6-Ton    20-Ton  
9-Ton    25-Ton  
10-Ton



**Viking Specialized Trailers Inc.**  
1730 SW Stallings Dr., Ste 101  
Nacogdoches, Texas 75964, USA  
Export Sales: [sales@dega.com](mailto:sales@dega.com)

[www.vikingspzdtrailers.com](http://www.vikingspzdtrailers.com)



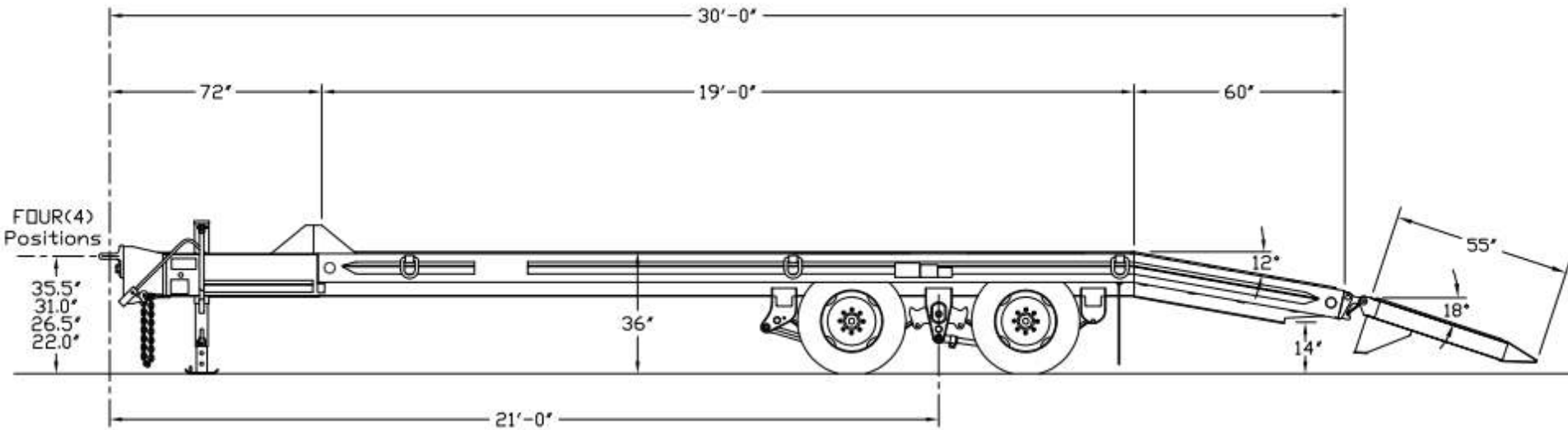
Since 1951

# Tag-Along Trailer

✓ CONTINUOUS PIERCED MAIN BEAM WITH INTERLOCKING CROSSMEMBERS SYSTEM

✓ SEALED BEAM ELECTRICAL SYSTEM

✓ HEAVY DUTY AIR BRAKES & SPRING SUSPENSION



✓ FRONT HEAD BOARD STOP



✓ UNDERCOATED

**Viking Specialized Trailers Inc.**  
1730 SW Stallings Dr., Ste 101  
Nacogdoches, Texas 75964, USA  
Export Sales: [sales@dega.com](mailto:sales@dega.com)

[www.vikingspdtrailers.com](http://www.vikingspdtrailers.com)